

## Specification

- ☞ Comply with EIA-310-E, IEC297-2, DIN41491 PARTI, DIN41494 PART7, GB/T3074.2-92 Standard.
- ☞ Various sizes and parts are available according to different application demand.
- ☞ Completely welded structure, firm and reliable.
- ☞ Cable in/out access at the top, bottom and rear for convenient cabling on site.
- ☞ High quality powder coated.
- ☞ Various optional accessories.
- ☞ Easy to assemble.
- ☞ Providing several copper grounding stud.
- ☞ Adjustable feet.
- ☞ Color option, black, white, gray.
- ☞ 4U, 550x400x275, max static loading 30 kg.



The top heat dissipation hole, striped plate can be disassembled, easy to cabling management



Glass door all 3C certificated



Front door with security locks, easily use



The design of back panel is convenient to install the wall

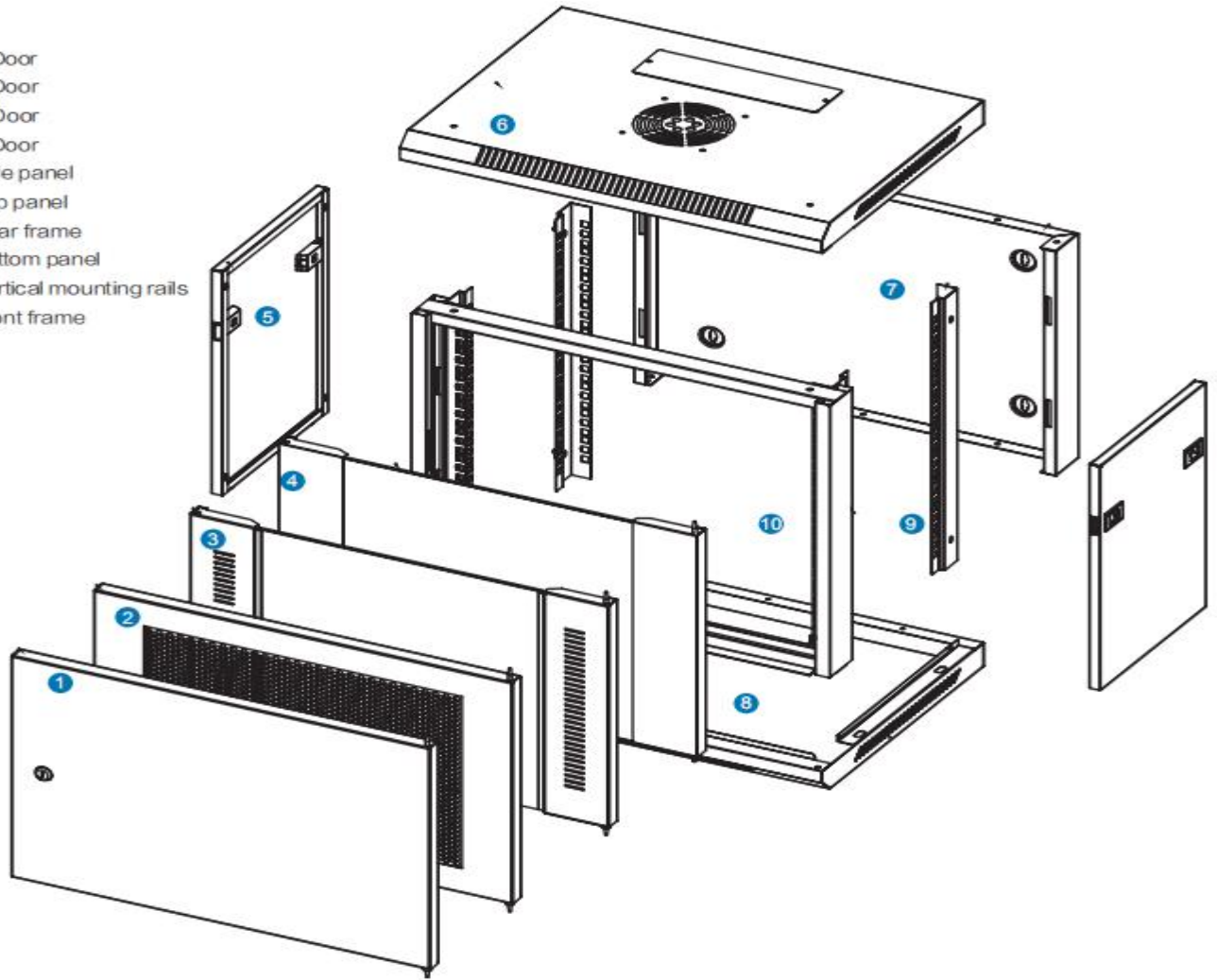


Detachable side panels, can be loaded.



The bottom strip can be disassembled for easily cabling management

- 1 A Door
- 2 E Door
- 3 C Door
- 4 B Door
- 5 Side panel
- 6 Top panel
- 7 Rear frame
- 8 Bottom panel
- 9 Vertical mounting rails
- 10 Front frame



SN	Part name	Quantity	Unit	Material	Surface finish	Remark
1	Top panel	1	Piece	SPCC cold rolled steel t0.8	powder coated	---
2	Bottom panel	1	Piece	SPCC cold rolled steel t0.8	powder coated	---
3	Front frame	1	Piece	SPCC cold rolled steel t1.2	powder coated	---
4	Vertical mounting rails	4	Piece	SPCC cold rolled steel t1.2	powder coated	---
5	Rear frame	1	Piece	SPCC cold rolled steel t0.8	powder coated	---
6	Front door	1	Piece	---	powder coated	---
7	Side panel	2	Piece	SPCC cold rolled steel t0.8	powder coated	---
8	wafer locks	1	Piece	Zinc alloy	electroplate nickel	With I keys
9	M6 Cage Nuts and Screws	10	set	---	---	---
10	Cage nut hook	1	Piece	---	---	---
11	Allen key	1	Piece	---	---	---